



Motic[®]
MORE THAN MICROSCOPY

MOTICAM **A-LINE**

ACCESSORISED - AFFORDABLE - AMAZING

MOTICAM A

The new Moticam A line of cameras marks yet another milestone of Motic's digital microscopy expansion. By using the latest sCMOS sensors coupled with our own PCB design and on-board image management systems, each Moticam A promises to deliver professional digital microscopy solutions at an affordable price. The Moticam brand is recognized around the world as representing easy to use and adaptable attachable cameras for virtually any microscope. Whether for Educational, Industrial or Clinical use, this new generation of Moticam has a unit for even the most demanding users.

Manufactured in our new advanced facilities, each Moticam undergoes strict quality inspections and testing before being sealed, packed and delivered to your door. At Motic, we believe in making quality Digital Microscopy affordable for everyone and we know that you will enjoy this new line.



[ALL IN ONE]

CONCEPT

At Motic we strive to ensure that everything you may need to start your Digital Microscopy journey is included, without adding unnecessary items.

Supported by our own In-House team of Software and Mechanical Engineers, each Moticom has the necessary equipment to help you turn your images into knowledge.



An attachable camera containing a sensitive professional CMOS imaging chip housed in an all-metal case.



A metal CS-Ring making the camera compatible with both C and CS mounts.



A Motic 4-dot calibration slide with micrometer cross-hairs that ensure accurate calibration for accurate measurements.



A USB2.0 High-Speed data transmission cable




A full version of our multi-language and multi-platform Motic Images Plus application software which provides all the tools you need to quantify, measure, annotate, teach, learn and much more. This software entitles you to free updates and does not require any license fees.





? Do You Know

"The new Moticam A line is designed and manufactured totally in-house under strict German quality guidelines. Motic has not only invested in acquiring and perfecting new know-how, but also in modernizing and expanding our internationally conforming clean-room facilities"



Moticam A1	_____	05
Moticam A2	_____	05
Moticam A5	_____	06
Moticam A8	_____	06
Moticam A16	_____	07
Connect to your Moticam A	_____	08
Motic Image Plus	_____	09
MotiConnect App	_____	09
Technical Data	_____	10

Contents

Moticam A1 & A2



| Simple and Efficient

The new Moticam A line starts with the A1 with its 1.MP sensor with large pixels. This little camera packs a punch with up to 30fps at full resolution. The A2 promises crisp and detailed images thanks to its higher live resolution and fast frame rate even at 1920x1080 pixels.

Moticam A5 & A8



| More Detail images

If it is more pixels you are looking for, look no further than the A5 and A8. With 5MP and 8MP live transmission, either one of these two power cameras provide an ideal platform for high resolution imaging.

Moticam A16



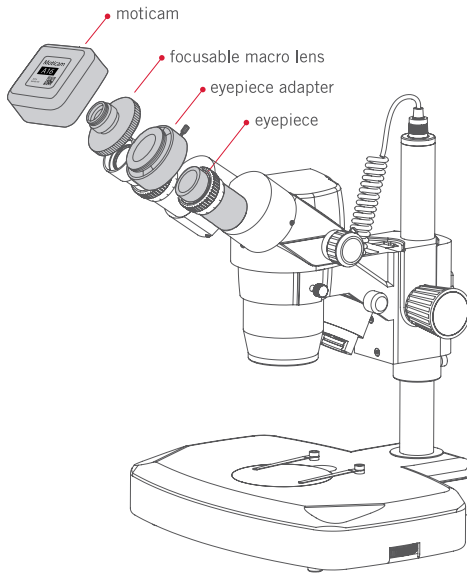
I Professional Image Capture

The Moticam A16 offer up to 16MP live and capture resolution. With such a high resolution range at your disposal, you can easily and professionally convert captured images into documentation files.

Connect to Moticam A

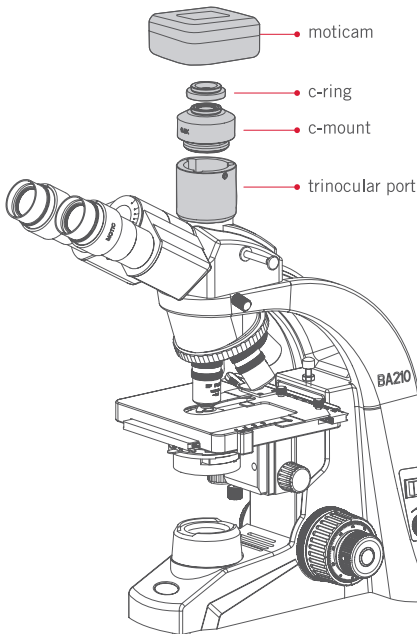
Onto the Eyepiece

With the optionally available Moticam A accessories pack, you can attach the Moticam A onto the eyepiece of almost any microscope. Simply connect the focusable macro lens to the camera and select the correct eyepiece coupler for your microscope's eyepiece. Put the complete combination onto the eyepiece and you have turned your conventional microscope into a digital microscope.



Onto the Trinocular tube

For all our Motic trinocular microscopes, we have several C-Mount adapters available. The C-Mount adapter needs to be chosen according to the sensor size of the camera. Each Moticam A comes standard with a C-Mount connection; the c-ring is included in the package. Just fix the C-Mount adapter onto the trinocular port and connect the Moticam A to the C-Mount adapter. This combination will give you the freedom to continue observing with both eyes, while having the Moticam A connected. Our cameras can also be used on non-Motic microscopes, via the universal C-Mount connection standard. Please remember that you will need the C-Mount adapter from the manufacturer of your microscope.



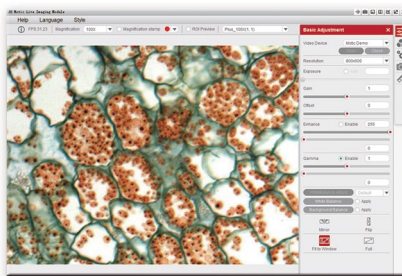


— Motic Image Plus 3.1 —

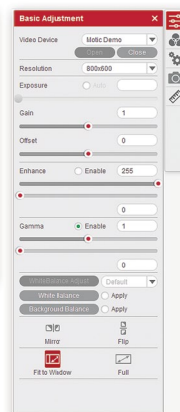
Motic Images Plus 3.1 for PC is a software suite that has evolved through more than a decade of close cooperation with end-users and professionals around the world. At Motic, we believe that actions speak louder than words, and this is why a full version of Motic Images Plus is included in every Moticom box. Once installed, you will not be asked to pay license fees or upgrade fees, simply register your Moticom online and get access to free updates when they become available.

Key Features of Motic Images Plus 3.1

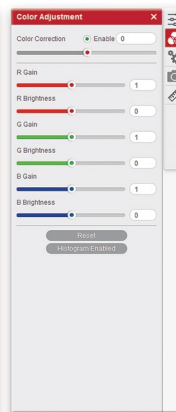
- Easy control and use Motic Imaging devices
- Various useful Image processing algorithm
- Easy to make still image or movie clip
- Support Auto and Manual exposure modes
- Support Auto and Manual White Balance modes
- Accurate measurement function
- Support ROI function



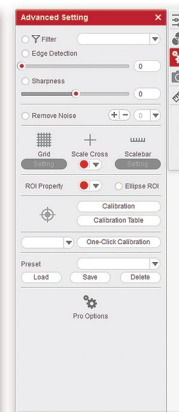
Motic Images Plus interface



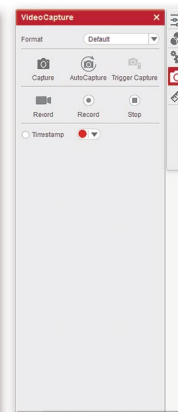
Motic Images Plus interface
Video



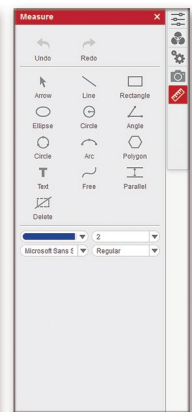
Motic Images Plus interface
Color correction



Motic Images Plus interface
Adjustments



Motic Images Plus interface
Capture



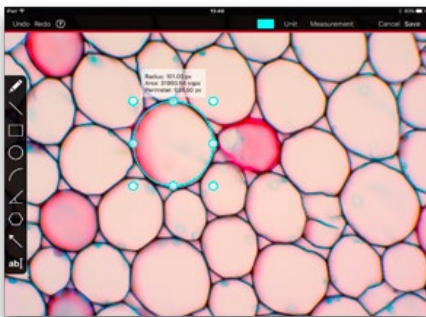
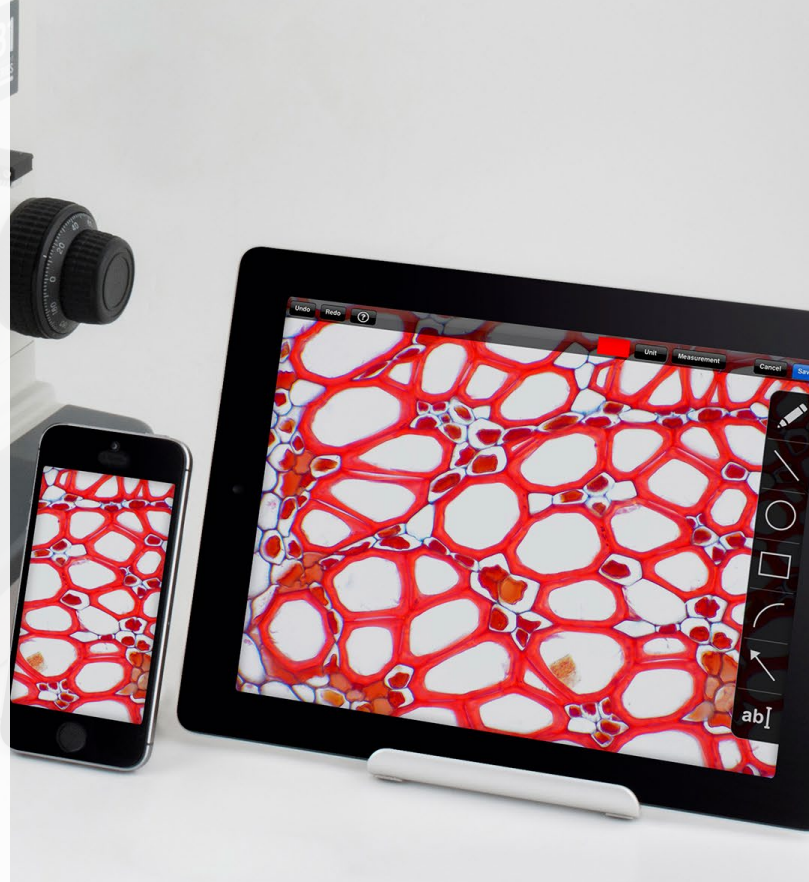
Motic Images Plus interface
Measure



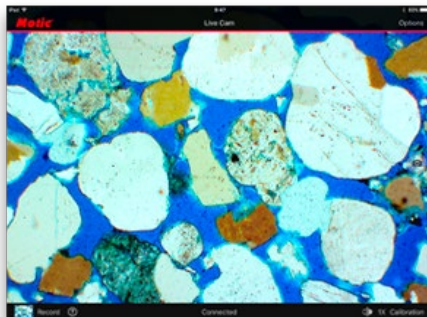
MotiConnect App

More and more people are using mobile devices in all aspects of their lives, including work. Digital Microscopy should not be an exception to this trend. And for this reason, we have created MotiConnect that works with iOS, Android as well as Windows mobile devices.

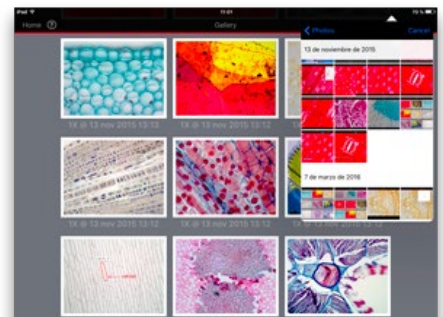
MotiConnect allows you to view live camerastreams, capture and measure, annotate and share your microscope image by simply touching the icons on your tablet. This application is popular amongst students, professors and professionals alike as it is easy to use and intuitive, even to tablet novices.



MotiConnect: Edit Meun - Mesurments



MotiConnect: Live Image



MotiConnect: Photo Gallery - Import Meun

Technical Data

Moticam	A1	A2
Sensor Type	sCMOS	
Sensor size	1/3.1"	1/3.1"
Imaging area	5.95mm (Diagonal)	5.95mm (Diagonal)
Capture resolution	1MP	2MP
Live display mode through USB	1280x720 pixels 1024x768 pixels	1920x1080 pixels 1280x720 pixels
Pixel size	4.1x4.1µm	2.7x2.7µm
Scan mode	Progressive	
Shutter mode	Rolling Shutter	
Data transfer	USB 2.0	
Max. frames per second (fps*)	1280x720 @ 30fps 1024x768 @ 30fps	1920x1080 @ 30fps 1280x720 @ 30fps
Exposure time	100 µsec to 1 sec	
Operating temperature	From -10 to +60 Degrees Celsius non condensing	
Support device	TWAIN, SDK and DirectShow Driver	
Supported OS	Microsoft Windows 7/8/10, MAC OSX10.9 or higher	Microsoft Windows 7/8/10, MAC OSX10.9, Linux UBUNTU1604 or higher
Minimum computer requirements	2GHz dualcore - RAM memory 2GB	
Lens mount	C-Mount	
Software	Motic Image Plus 3.1 for Windows/OSX/Linux (USB stick) MotiConnect (Download only)	
Functions	Still image and video capture, live and still image measurement, image adjustments, white balance, automatic & manual exposure, individual objective calibration system.	
Power supply	5V (from USB Port)	
Package includes	12mm lens, Adaptor30/38, CS ring, Motic 4-dot calibration slide, Macro Tube, USB 2.0cable, Macro Calibration card, Manual	

A5	A8	A16
sCMOS		
1/2.8"	1/3"	1/2.3"
6.52mm (Diagonal)	5.91 (Diagonal)	7.77(Diagonal)
5MP	8MP	16MP
2592x1944 pixels 2048x1536 pixels 1920x1080 pixels	3840x2160 pixels 1920x1080 pixels	4608x3456 pixels 3264x2448 pixels 1920x1080 pixels
2x2µm	1.34x1.34µm	1.34x1.34µm
Progressive		
Rolling Shutter		
USB 2.0		
2592x1944 @ 30fps 2048x1536 @ 30fps 1920x1080 @ 30fps	3840x2160@ 15fps 1920x1080 @ 30fps	4608x3456@ 15fps 3264x2448@ 15fps 1920x1080@ 30fps
100 µsec to 1 sec		
From -10 to +60 Degrees Celsius non condensing		
TWAIN, SDK and DirectShow Driver		
Microsoft Windows 7/8/10, MAC OSX10.9, Linux UBUNTU1604 or higher	Microsoft Windows 7/8/10, MAC OSX10.9, Linux UBUNTU1604 or higher	Microsoft Windows 7/8/10, MAC OSX10.9, Linux UBUNTU1604 or higher
2GHz dualcore - RAM memory 2GB		
C-Mount		
Motic Image Plus 3.1 for Windows/OSX/Linux (USB stick) MotiConnect (Download only)		
Still image and video capture, live and still image measurement, image adjustments, white balance, automatic & manual exposure, individual objective calibration system.		
5V (from USB Port)		
12mm lens, Adaptor30/38, CS ring, Motic 4-dot calibration slide, Macro Tube, USB 2.0cable, Macro Calibration card, Manual		

Motic®

Canada | China | Germany | Spain | USA

www.moticamseries.com | www.motic.com

EN | ES | FR | DE | IT | PT

Motic Instruments (Canada)

130 - 4611 Viking Way, Richmond, BC V6V 2K9 Canada
Tel: 1-877-977 4717 | Fax: 1-604-303 9043

Motic Deutschland (Germany)

Christian-Kremp-Strasse 11, D-35578 Wetzlar, Germany
Tel: 49-6441-210010 | Fax: 49-6441-210 0122

Motic Hong Kong Limited (Hong Kong)

Unit 2002, L20, Tower Two, Enterprise Square Five,
38 Wang Chiu Road, Kowloon Bay, Kowloon, Hong Kong
Tel: 852-2837 0888 | Fax: 852-2882 2792

Motic Europe (Spain)

C. Les Carts 12, Pol. Ind. Les Carts. 08349 Cabrera de Mar, Barcelona, Spain
Tel: 34-93-756 62 86 | Fax: 34 93 756 6287

Motic USA

6508 Tri-County Parkway, Schertz, TX 78154, United States
Tel: 800 275 3716 | Fax: 200 590 1104

*CCIS® is a trademark of Motic Incorporation Ltd.

Motic Incorporation Limited Copyright © 2002-2021. All Rights Reserved.

Design Change: The manufacturer reserves the right to make changes in instrument design in accordance with scientific and mechanical progress, without notice and without obligation.

Designed in Hong Kong

Updated: 05.09.2022



Official Distributor: